

Assembly Instructions for Inflatable Arches

1. Unrolling The Arch



WARNING



Ensure there are no elements under the arch that can puncture the PVC.

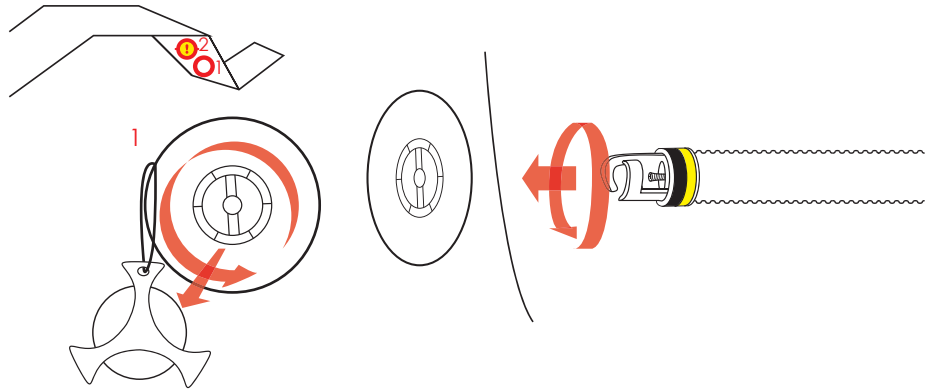
Dragging the arch may cause tearing.



Assembly Instructions for Inflatable Arches

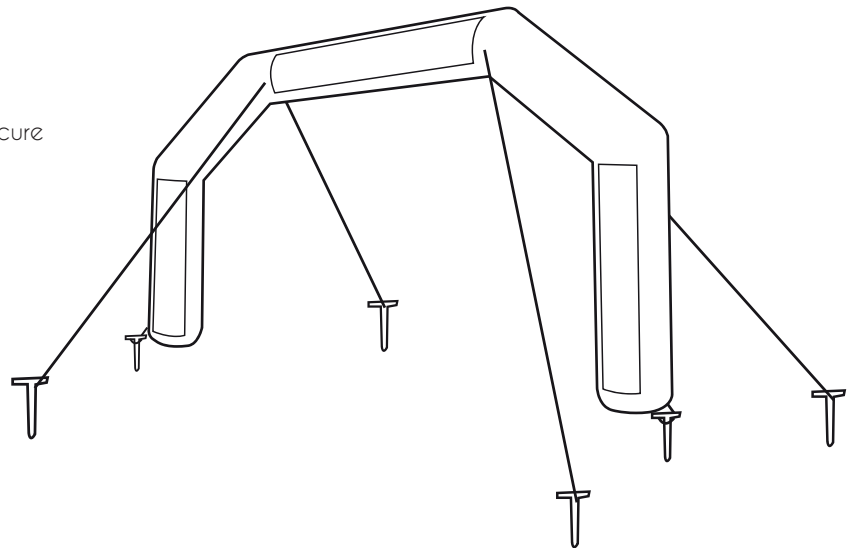
2. Inflating The Arch

Remove the cap from the valve (1) directly below the emergency release valve (2). Attach the vent to the valve (1) to inflate the tent.



3 Pump the frame with air until it's full.

4 Place the arch in the desired area of installation and secure in place with the supplied rope and stake kit.



5 To deflate the arch open the valve.

6 Leave one valve open on the opposite end that your rolling to allow air to escape. Refold the arch following the step by step images in reverse.

