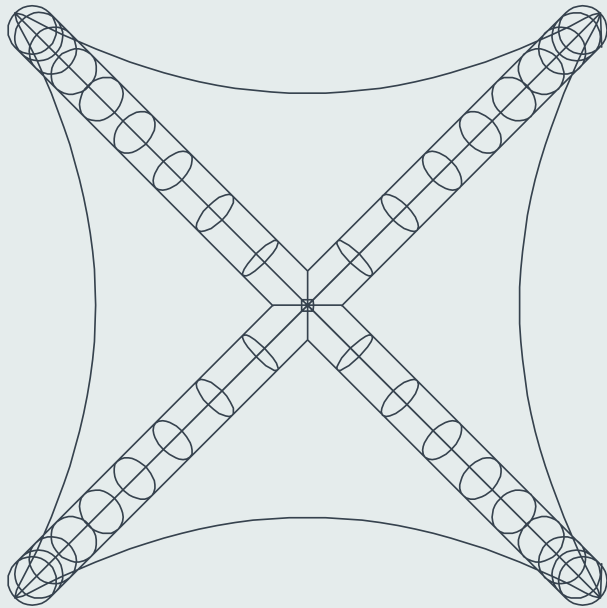




RINGMASTER SPECS

MODELS: AT330,AT440,AT550,AT660

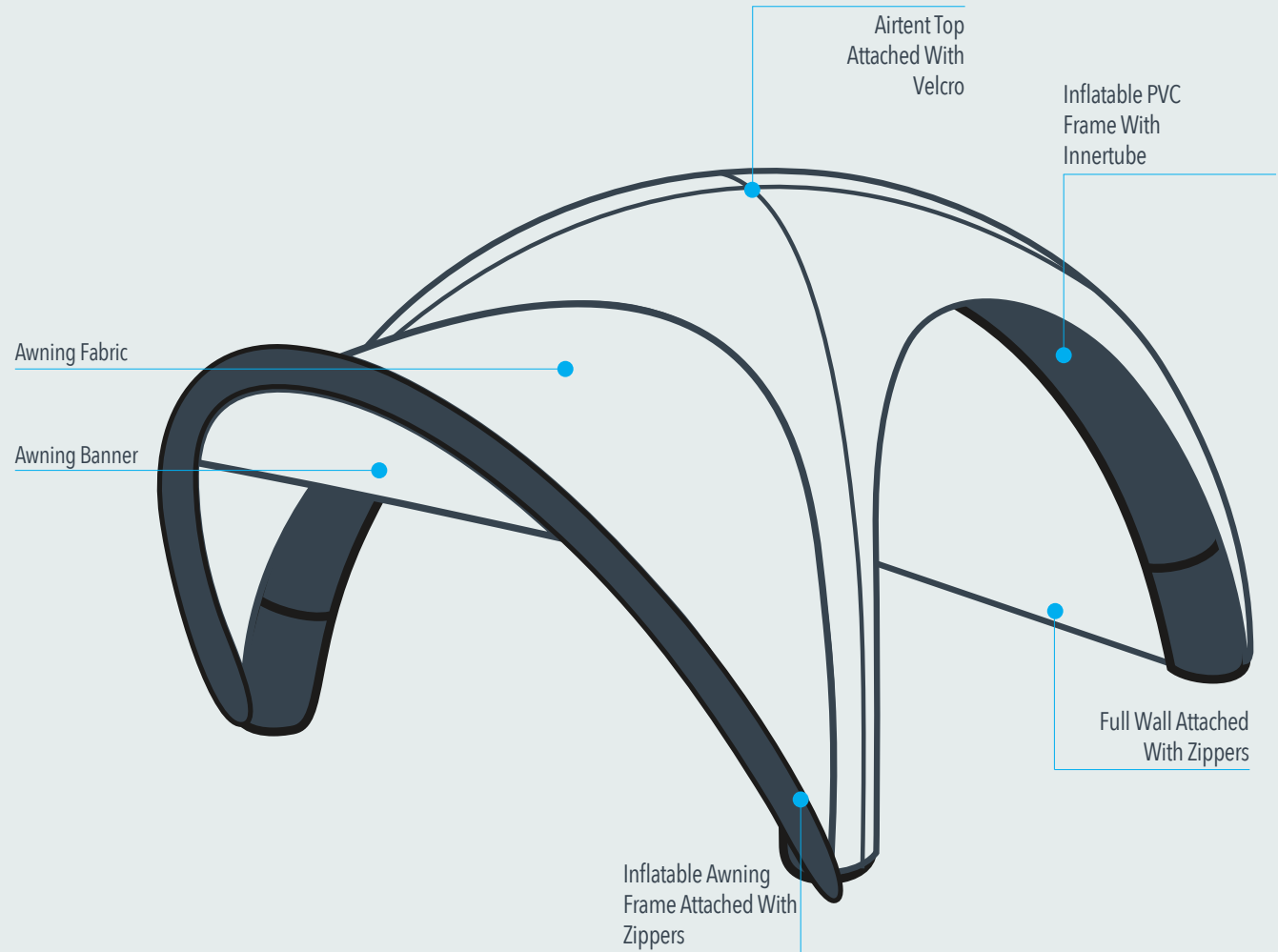
POP UP TENT | Ringmaster (Airtent)



Thank you for choosing the Ringmaster.

This series stands out from the rest with a one point entry of inflation in less than 3 minutes, does not require continuous airflow or constant power, and encloses a "AT - CLOSED SYSTEM with INNER TUBE BLADDER" for extra protection and stronger durability.

For an optimal use of this product we invite you to follow our setup guide.



PRODUCT SPECS | Ringmaster (Airtent)

Frame Material: PVC 740 gr/sqm

Area: AT330 - 86sqft, AT440 - 122sqft, AT550 - 203sqft, AT660 - 305sqft

Height of the Peak: AT330 - 9.06', AT440 - 10.18', AT550 - 11.22', AT660 - 13.21'

Ridge Height: AT330 - 6.56', AT440 - 6.80', AT550 - 7.35', AT660 - 7.56sqft

Top Material: PVC 360 gr/sqm or Poly 300 gr/sqm

Fire Rating: NFPA-701, ULC-S109

Designed Snow Load: 6"

Designed Wind Load: 60 km/h (30m/hr), in high winds walls must be fully enclosed or fully open.

Weight per Leg: AT330, AT440 - 44lbs, AT550, AT660 - 66lbs

Guy Rope Weight per Leg: AT330, AT440 - 150lbs, AT550, AT660 - 225lbs

Wind speed is the wind directly on the tent. The reported wind speed is measured 33' above ground at a local airport weather station. Wind on your tent may be effected considerably by topography, trees, buildings, fences, and other adjacent roughness.

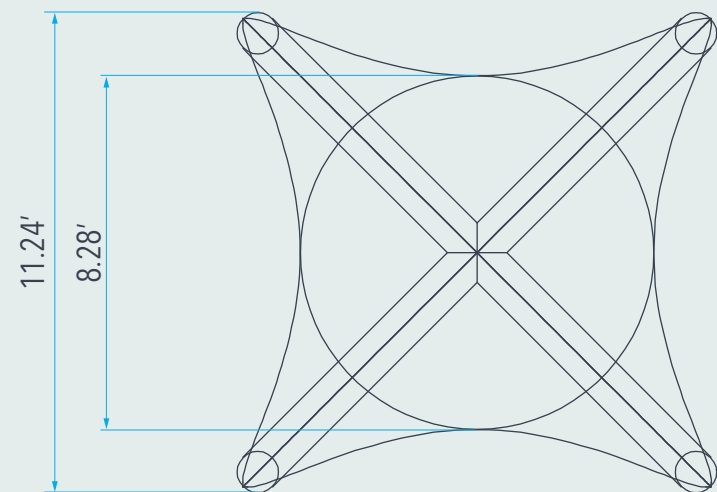
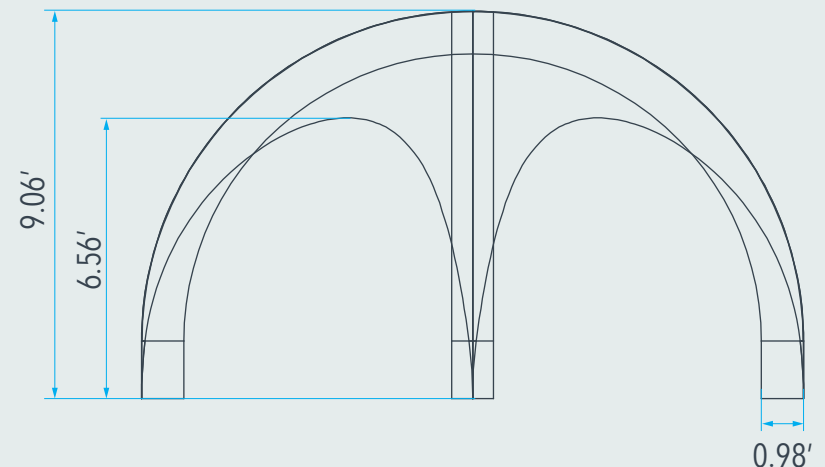
To increase stability, stakes and ropes are recommended with every use.

Since weather can impose large forces, good judgment and common sense must be used while setting up and securing a tent. It is the responsibility of the tent owner to be aware of any anticipated extreme weather to which the tent may be subjected to and to plan for any timely evacuation, and if necessary, for the safe take down of the tent. A successful event is a safe event.

The tent structure should be disassembled if the forecasted wind speeds are above what is recommended for the tent design.

AT330

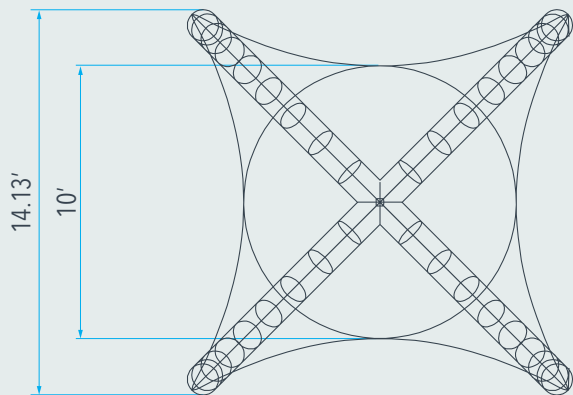
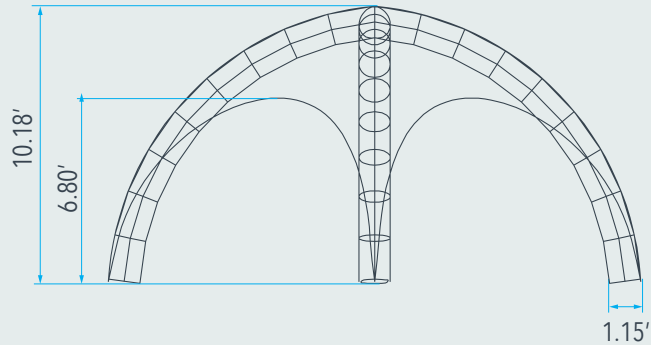
10'x10'



PRODUCT SPECS | *Ringmaster (Airtent)*

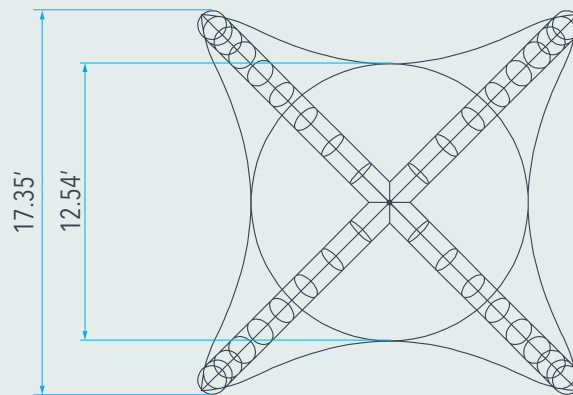
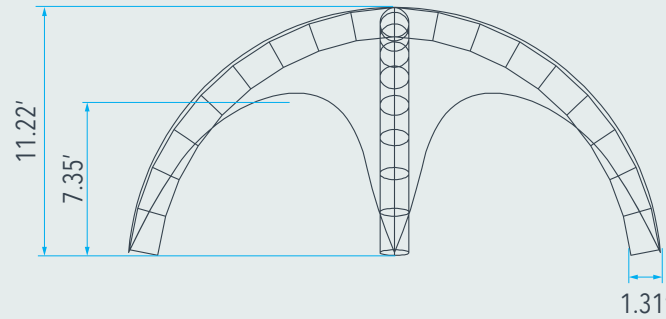
AT440

13'x13'



AT550

16'x16'



AT660

20'x20'

