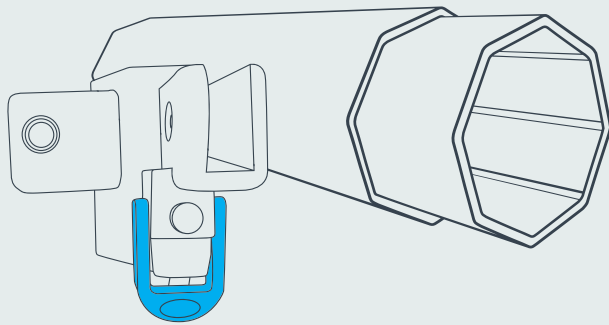




# HARLEQUIN SPECS

MODELS: AF330,AF345,AF360

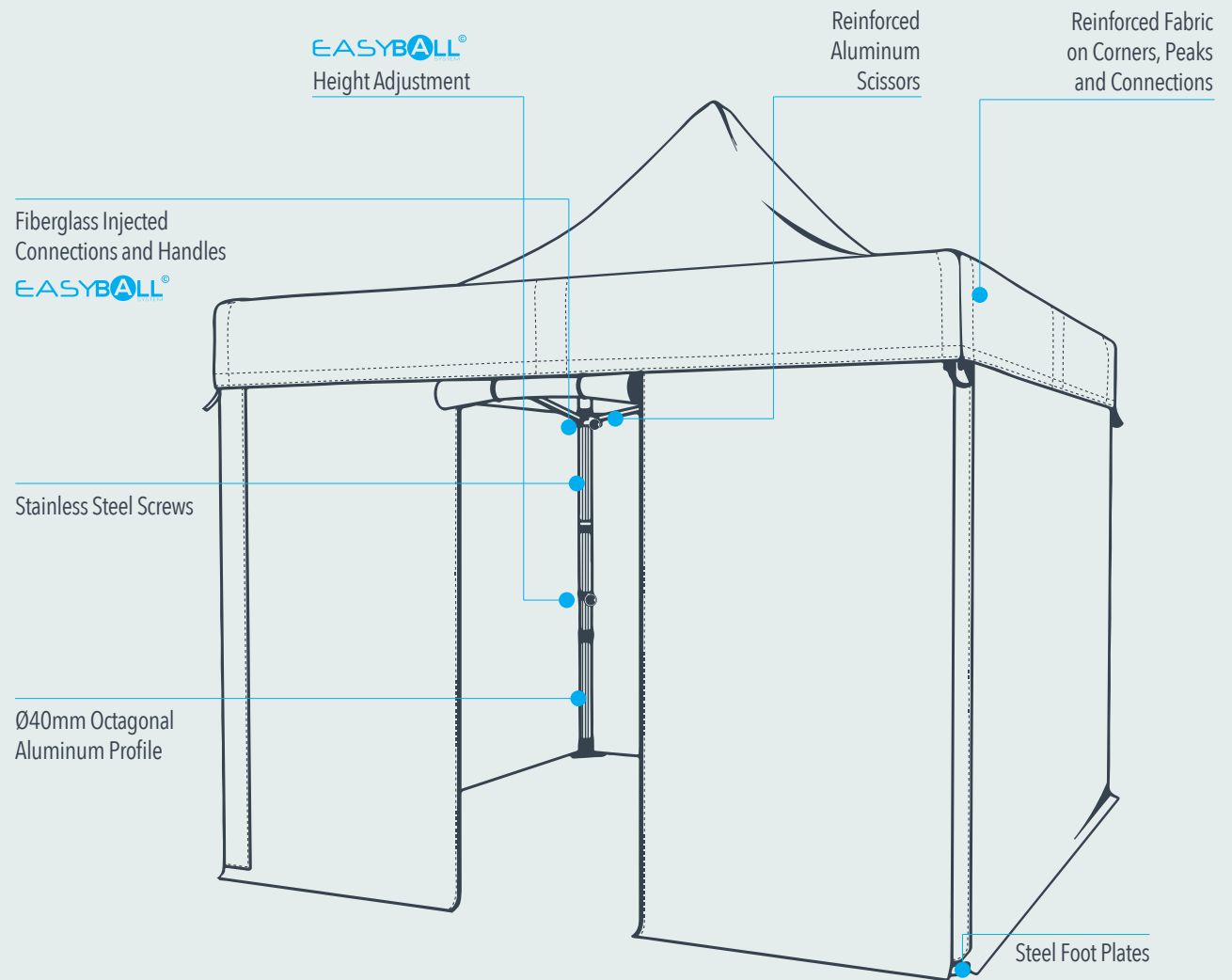
# POP UP TENT | Harlequin



Thank you for choosing the Harlequin.

The Harlequin pop up canopy tents are intended for frequent use. This aluminum frame is lighter and stronger than its steel counterpart and still comparable in price. With a polyester canopy and walls this canopy tent is well suited for markets, trade shows, sporting events or any other type of event.

*For an optimal use of this product we invite you to follow our setup guide.*



# PRODUCT SPECIFICATIONS | *Harlequin*

**Frame Material:** Anodized Octagonal Aluminum, 4 poles (AF330, AF345), 6 Poles (AF360), 40mm

**Scissor Material:** Anodized Aluminum

**Connectors:** Injected Nylon Connectors

**Hardware:** Stainless Steel Bolts

**Area:** AF330 - 97sqft, AF345 - 145sqft, AF360 - 194sqft

**Height of the Peak:** 10.70'

**Ridge Height:** Min 6.14' Max 6.56'

**Top Material:** PVC 360 gr/sqm or Poly 300 gr/sqm

**Fire Rating:** NFPA-701, ULC-S109

**Designed Snow Load:** 4"

**Designed Wind Load:** 55 km/h (33m/hr), in high winds walls must be fully enclosed or fully open.

**Weight per Leg:** 44lbs

**Guy Rope Weight per Leg:** AF330 - 150lbs, AF345 - 225lbs, AF360 - 300lbs

**Wind speed** is the wind directly on the tent. The reported wind speed is measured 33' above ground at a local airport weather station. Wind on your tent may be effected considerably by topography, trees, buildings, fences, and other adjacent roughness.

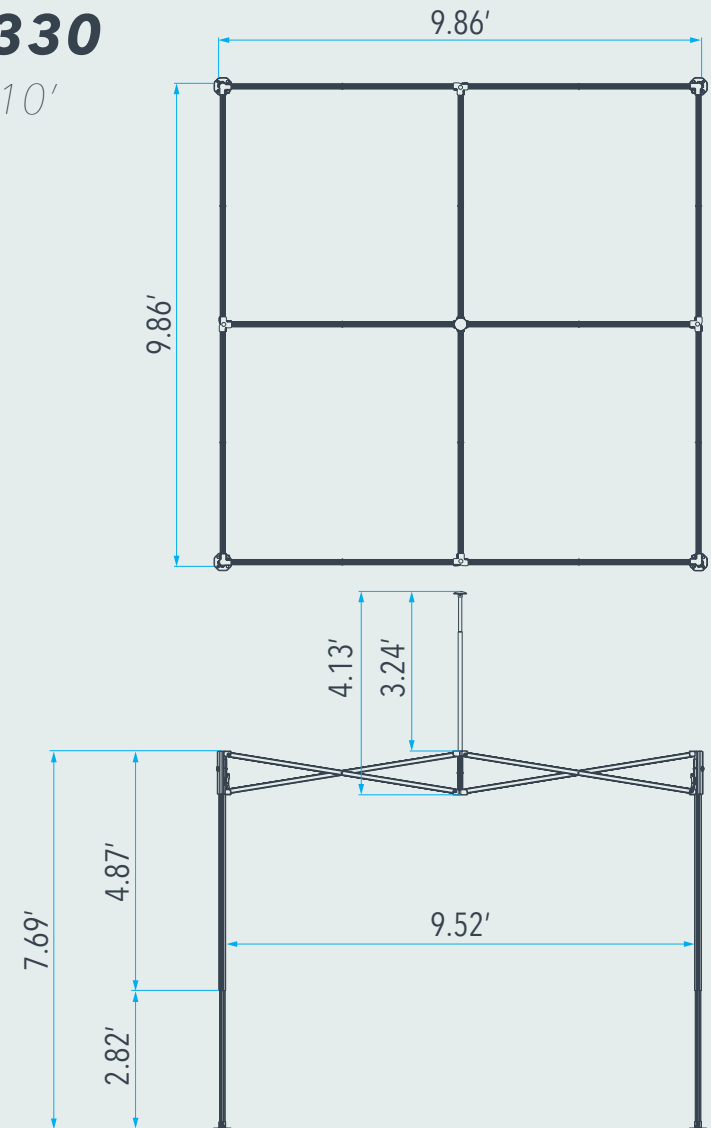
To increase stability, stakes and ropes are recommended with every use.

Since weather can impose large forces, good judgment and common sense must be used while setting up and securing a tent. It is the responsibility of the tent owner to be aware of any anticipated extreme weather to which the tent may be subjected to and to plan for any timely evacuation, and if necessary, for the safe take down of the tent. A successful event is a safe event.

The tent structure should be disassembled if the forecasted wind speeds are above what is recommended for the tent design.

## AF330

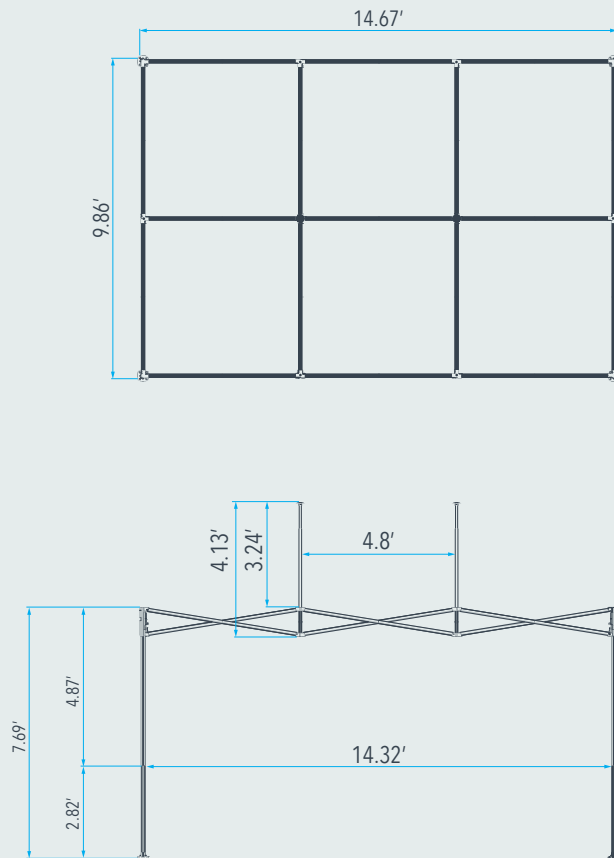
10'x10'



# PRODUCT SPECIFICATIONS | *Harlequin*

## AF345

10'x15'



## AF360

10'x20'

